

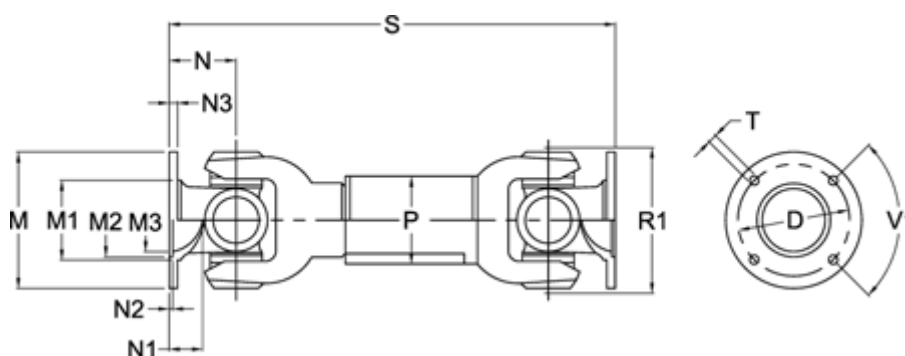
Data Sheet



Article number: 071131310375050

Description: Cardan drive shaft 0.113.131.002
S=375 X=50 Bore with keyway

Measures



D	= 130 +0,1	N1	= 27.5	T	= 10 B12
Extension X	= 50	N2	= 3 +0,5	V1 degrees	= 45
Flange diameter M	= 150	N3	= 9		
M1	= 104	Number of Flangeholes	= 8		
M2	= 90	P	= 70x4		
M3	= 80	R1	= 125		
Max. Bending Angle degrees	= 18	S min	= 375		
N	= 60	Spline dim. DIN 5480	= 50x2x24		